
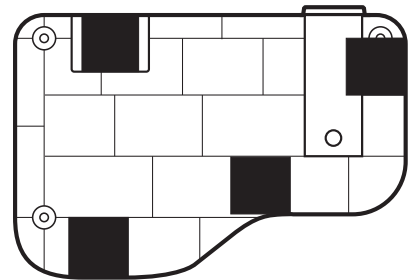


# INSTALLATION *Instructions*

- 1 Use provided double-sided super tape for a quick and convenient installation. **Neatfold should be placed in an area large enough to accommodate a bed sheet stretched to length.**
- 2 Remove adhesive lining from each side of tape and apply one tab to each of the 4 flat surfaces on backside of Neatfold. Then stick Neatfold evenly onto a clean, dry and vertical surface approximately 5 feet from the floor. Then cover screw holes with the provided white caps.

 **NOTE:** The provided tape is **permanent**. Please measure properly before placement.

## INSTANT



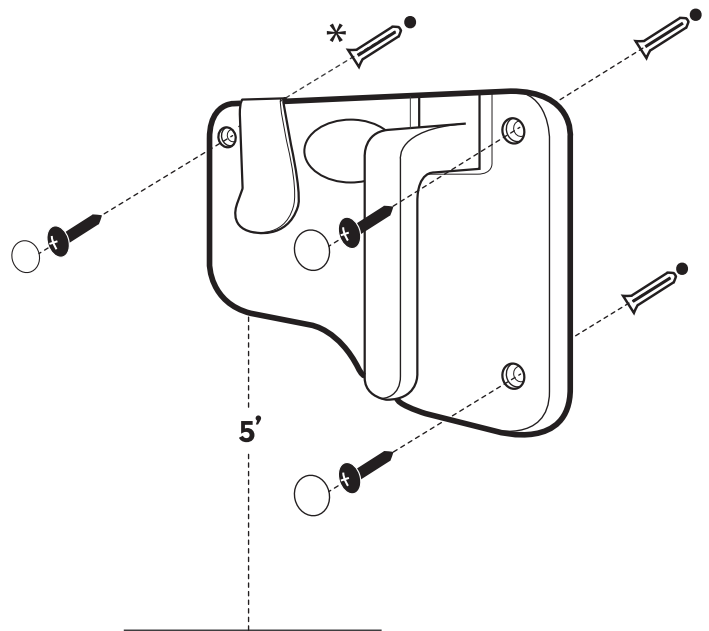
### WOOD SURFACES

- 1 Hold Neatfold level to the wall approximately 5' from the floor. Mark a location of each of the three holes with a pencil.
- 2 Drill a 1/8" size hole for each mark.
- 3 Again, hold Neatfold to the wall, insert the provided screws into their respective holes and then secure using a standard Phillips-head screwdriver.
- 4 Cover screw holes with provided white caps.

### DRYWALL OR PLASTER SURFACES\*

- 1 Hold Neatfold level to the wall approximately 5' from the floor. Mark a location of each of the three holes with a pencil.
- 2 Drill a 3/16" size hole for each mark.
- 3 Gently tap the provided anchors into their respective holes using a hammer.
- 4 Again, hold Neatfold to the wall, insert the provided screws into their respective holes and then secure using a standard Phillips-head screwdriver.
- 5 Cover screw holes with provided white caps.

## EZ TOOL METHOD

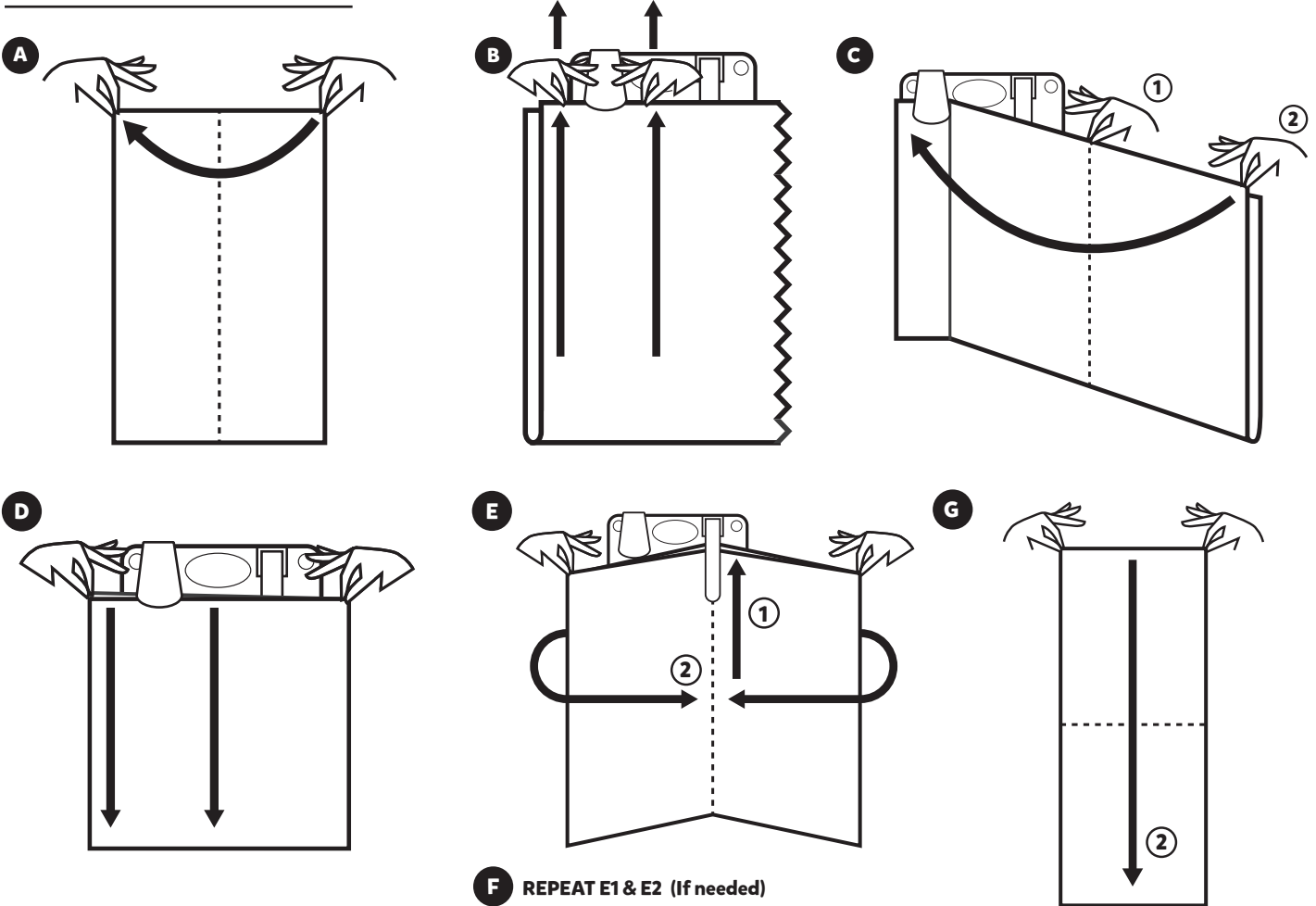


Questions? Comments? Concerns?  
Write us at [NeatfoldMfg@gmail.com](mailto:NeatfoldMfg@gmail.com)

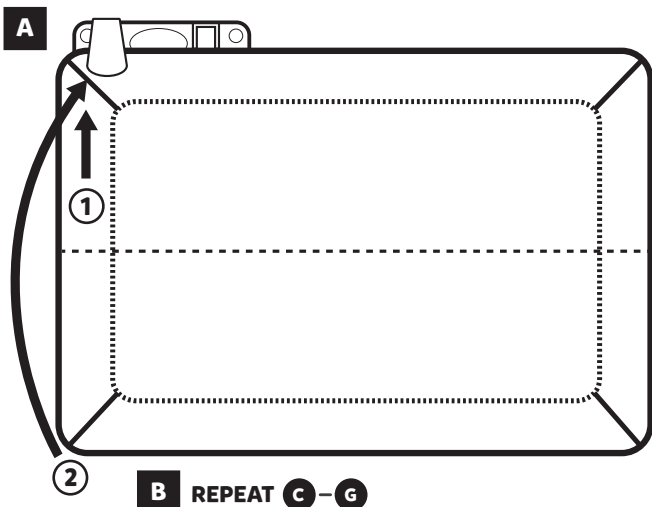


# FOLDING *Instructions*

## FLAT SHEETS & SPREADS



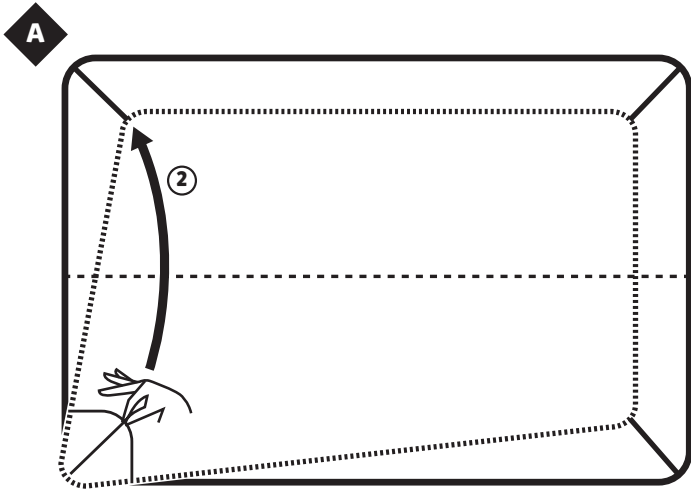
## FITTED SHEETS - Option 1



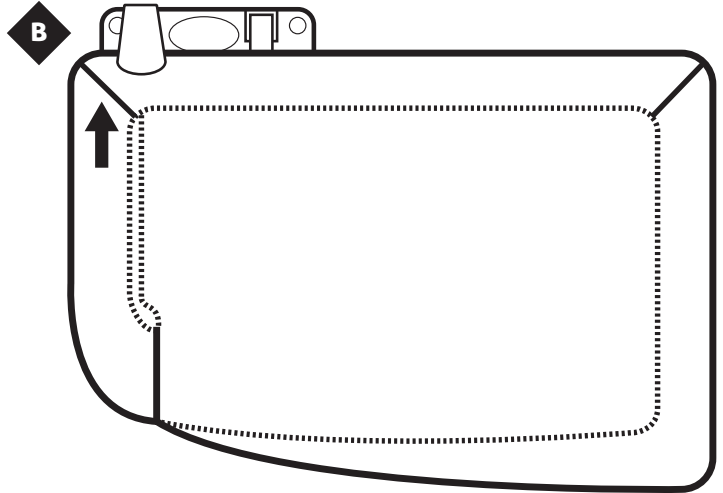
Questions? Comments? Concerns?  
 Write us at [NeatfoldMfg@gmail.com](mailto:NeatfoldMfg@gmail.com)

OR lay partially folded sheet on a flat surface after **D** and complete fold on your own.

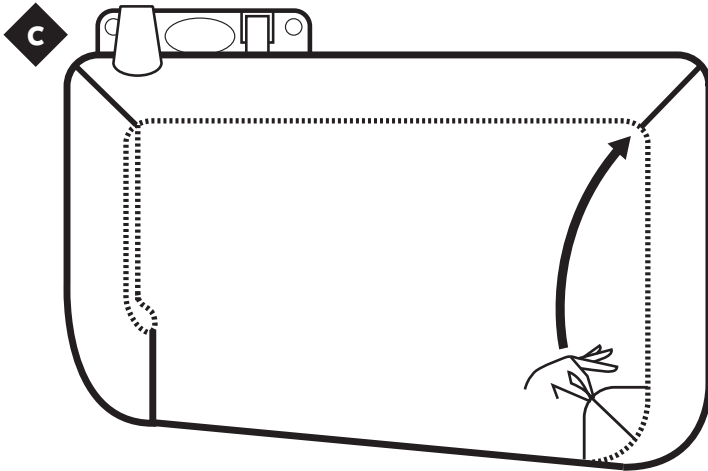
**FITTED SHEETS - Option 2**



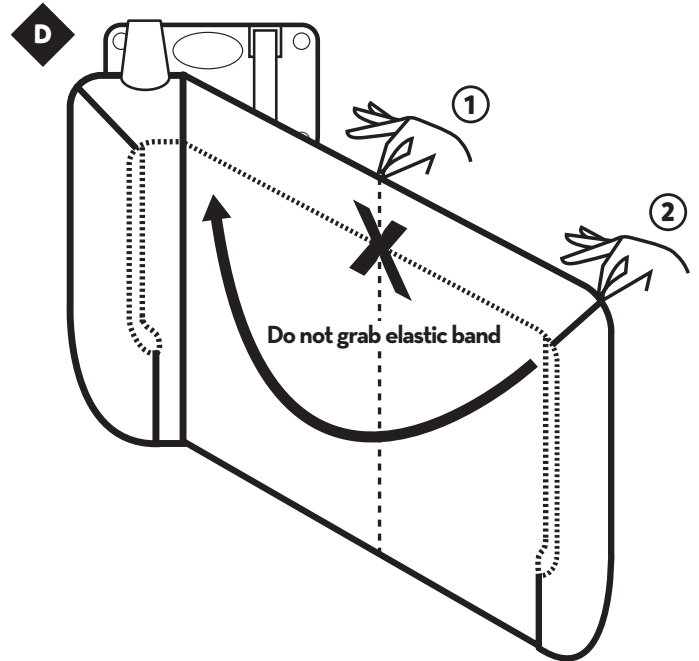
① Grab inside bottom left corner and tuck into top left corner using your pointer finger



① Place left corners into the Neatfold clip



① Grab inside bottom right corner and tuck inside top right corner



Do not grab elastic band

**E REPEAT C - G** (See Page 2)

**OR** lay partially folded sheet on a flat surface after **D** and complete fold on your own.

Video Instructions are always available at  
[www.Neatfold.com](http://www.Neatfold.com)

Questions? Comments? Concerns?  
 Write us at [NeatfoldMfg@gmail.com](mailto:NeatfoldMfg@gmail.com)

*Neatfold*  
 "The Original Bed Sheet & Spread Folder"  
 Neatfold.com

PATENTED  
 DESIGNED IN U.S.A.