

Neatfold™

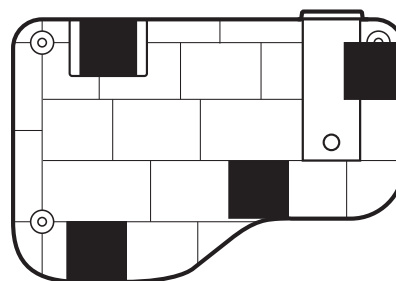
"The Original Bed Sheet & Spread Folder"

Neatfold.com


PATENTED
MADE IN U.S.A.

INSTALLATION *Instructions*

INSTANT



- 1 Use provided double-sided super tape for a quick and convenient installation. **Neatfold should be placed in an area large enough to accommodate a bed sheet stretched to length.**
- 2 Remove adhesive lining from each side of tape and apply one tab to each of the 4 flat surfaces on backside of Neatfold. Then stick Neatfold evenly onto a clean, dry and vertical surface approximately 5 feet from the floor. Then cover screw holes with the provided white caps.

 **NOTE:** The provided tape is **permanent**. Please measure properly before placement.

**Supplies
Needed:**



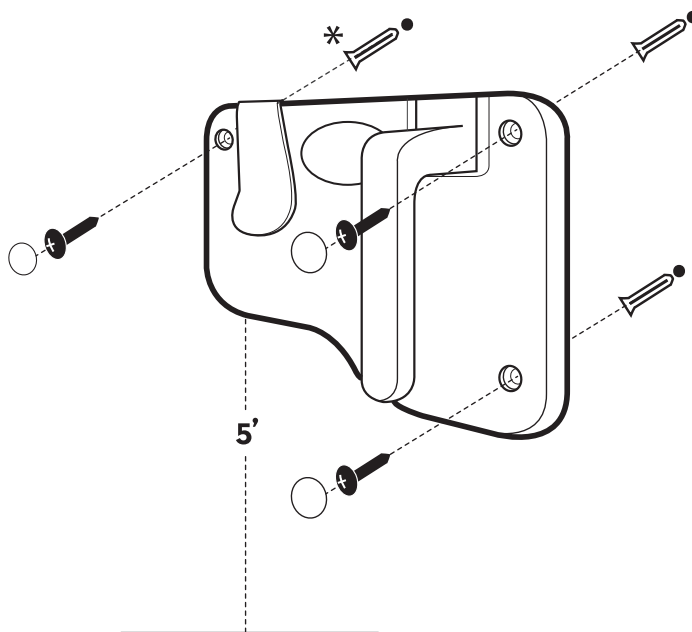
WOOD SURFACES

- 1 Hold Neatfold level to the wall approximately 5' from the floor. Mark a location of each of the three holes with a pencil.
- 2 Drill a 1/8" size hole for each mark.
- 3 Again, hold Neatfold to the wall, insert the provided screws into their respective holes and then secure using a standard Phillips-head screwdriver.
- 4 Cover screw holes with provided white caps.

DRYWALL OR PLASTER SURFACES*

- 1 Hold Neatfold level to the wall approximately 5' from the floor. Mark a location of each of the three holes with a pencil.
- 2 Drill a 3/16" size hole for each mark.
- 3 Gently tap the provided anchors into their respective holes using a hammer.
- 4 Again, hold Neatfold to the wall, insert the provided screws into their respective holes and then secure using a standard Phillips-head screwdriver.
- 5 Cover screw holes with provided white caps.

EZ TOOL METHOD



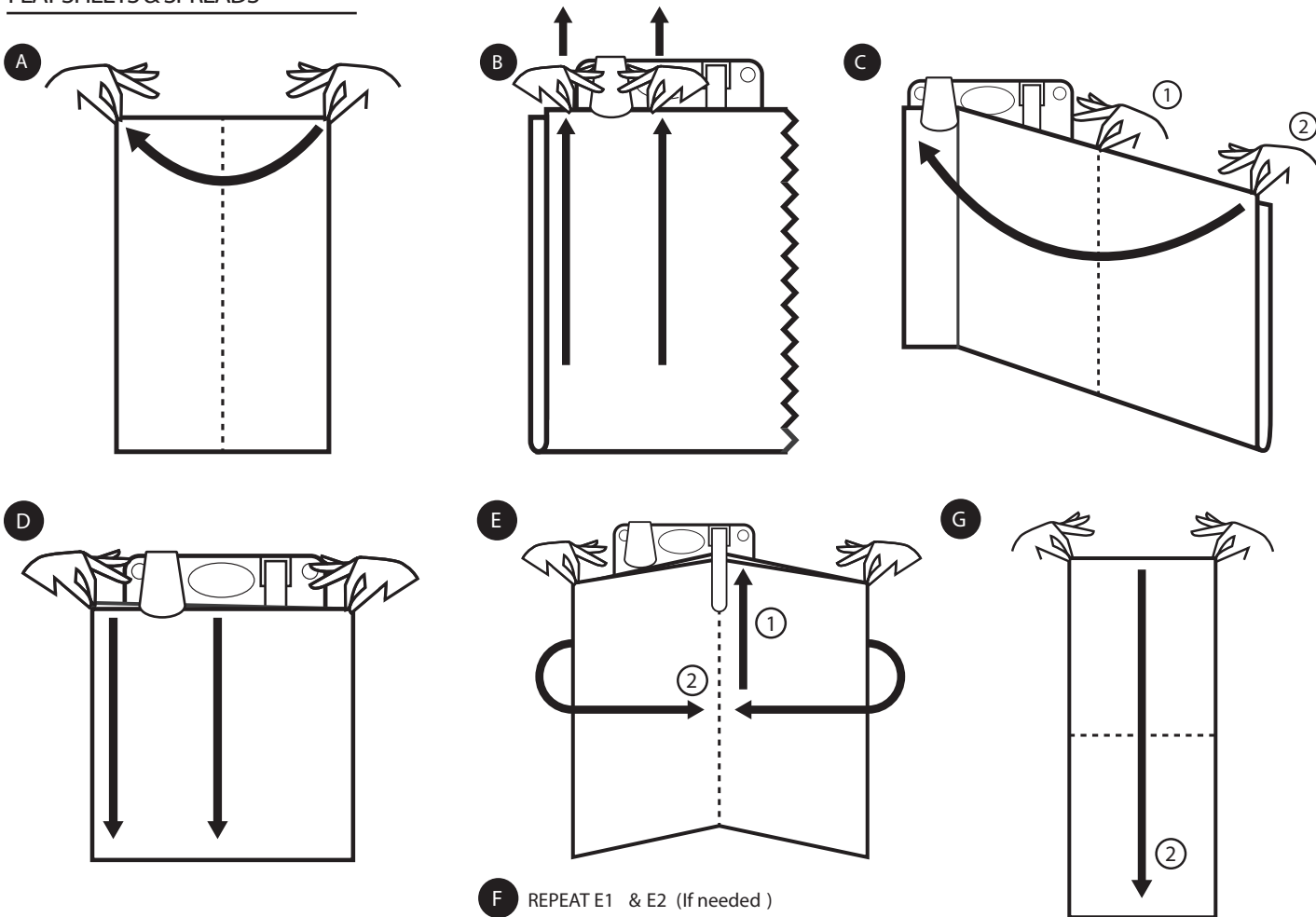
Questions? Comments? Concerns?
Write us at help@neatfold.com

Neatfold™
"The Original Bed Sheet & Spread Folder"
Neatfold.com

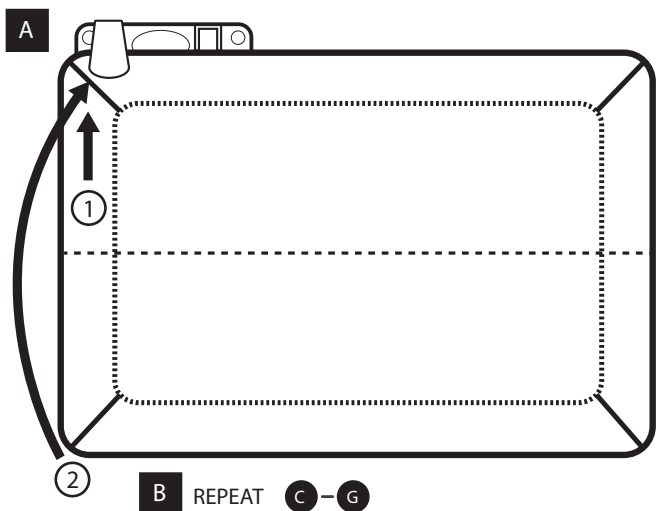
PATENTED
MADE IN U.S.A.



FLAT SHEETS & SPREADS



FITTED SHEETS- Option 1

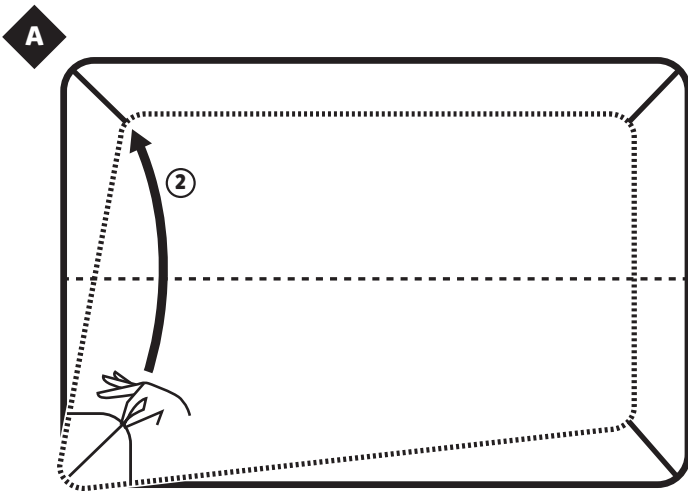


B REPEAT **C-G**

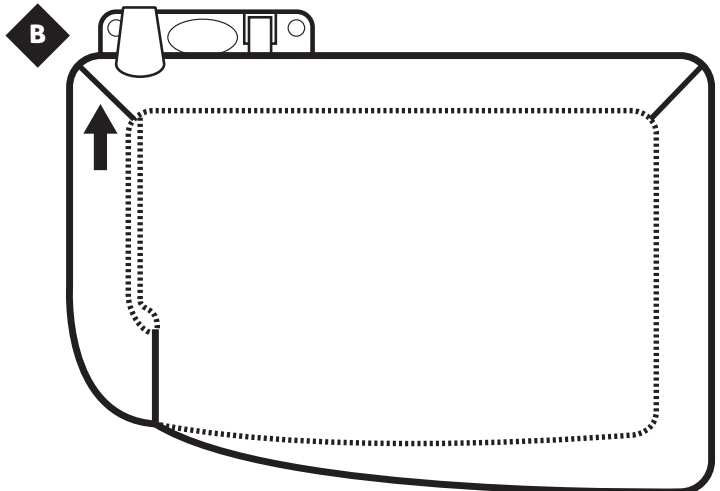
OR lay partially folded sheet on a flat surface after **D** and complete fold on your own.

FOLDING *Instructions*

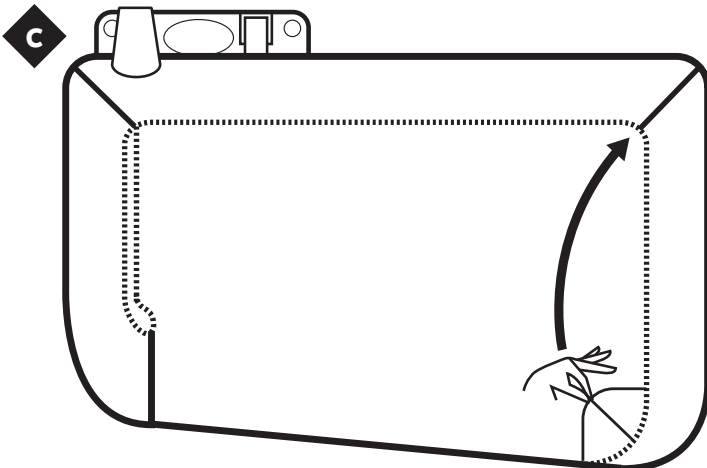
FITTED SHEETS - Option 2



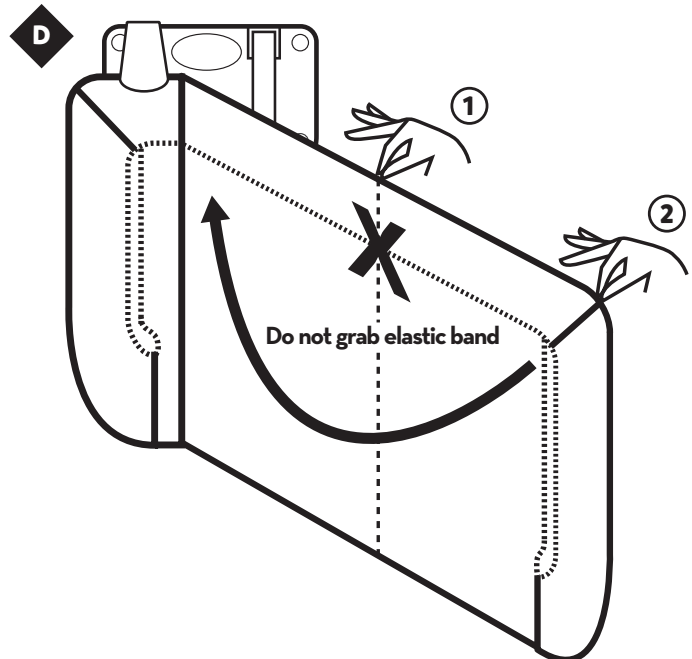
① Grab inside bottom left corner and tuck into top left corner using your pointer finger



① Place left corners into the Neatfold clip



① Grab inside bottom right corner and tuck inside top right corner



E REPEAT **C** - **G** (See Page **2**)

OR lay partially folded sheet on a flat surface after **D** and complete fold on your own.

Questions? Comments? Concerns?
Write us at help@neatfold.com

Neatfold
"The Original Bed Sheet & Spread Folder"
Neatfold.com

PATENTED
MADE IN U.S.A.